



Cement Plants

Supply & Services



ALGARMANI TRADING CORP.

Cement Plants

Supply & Services

ALGARMANI TRADING CORP. "AMG"

is well-known private company founded in 1972 by Ali Mohammed Algarmani and sons.

The company is located in Sana'a, Yemen, with activities in different business sectors. has achieved to build a wide range and strong trading relationship with many reputable companies from Europe, Japan and the Gulf area.

To cover its customers requirements in the heavy industries and Oil & Gas, power and cement industries.



ALGARMANI TRADING CORP. represents many famous companies which have best reputation around the world and specialized in Cement plants, supply of parts and services as Gulf Metal Foundry, Castolin, Christian Pfeiffer, Sumitomo Drive Technologies, Tsubakimoto Chain co., MAN Diesel & turbo, Bopp & Reuther MesstechnikGmbh and Toshiba Mitsubishi Electric Industrial Systems Corporation.

Our mission: to provide our customers the best services to insure safe continuous operations of their equipments within reasonable time and price.

ALGARMANI TRADING CORP.

ISO 9001
BUREAU VERITAS
Certification



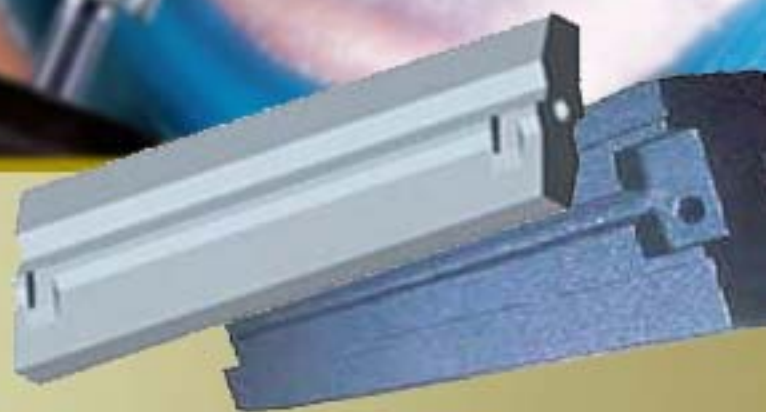
Algarmani Trading Corp.
is ISO Certified Corporation

02



Spare Parts

Al-Garmani Trading Corp. provides the cement plants with crushers' spare parts, mills spare parts.



- * **Blow Bars - Impact Bars**
for any crusher "with any dimensions and with the customer required compositions".
- * **ANVILS**
- * **IMPELLERS**

Spare Parts

JAW PLATES (FIXED & MOVABLE)

TIP CAREER WEAR PLATES

SVEDALA JAW WEDGE PLATES

GMF manufactures castings for wear resistant applications in high chromium iron and Manganese steel for use in Cement Plants and Quarries and Crushers. GMF manufactures Steel, Alloy Steel, Stainless Steel & Heat Resistant Steel Castings for Petro-Chemical and Engineering Industries.

Spare Parts

BARMAC DISTRIBUTOR PLATE & BARMAC FEED EYE RING


GMF can also prepare the following casting parts:

Liner Plates, All Casted Valves, Hammers, Wear Resistance Plates, Mill Liners, Nose Ring Segments, Jaw Plates, Inlet Tray Segments, Side Check Plates, Cones, Mantles, Torch Rings, etc...



Castolin Eutectic® Eutectic Castolin





CASTO TUBES extremely wear resistant, lightweight and easy-to-join, highly cost effective for rapid replacement of worn tubes, increase service life & plant availability & process productivity.

Plates & Tubes

WELDED PLATES offer the best protection against combined wear by impact mild abrasion, Resist impact where standard wear plates fail, improve service life of parts such as buckets, Chutes, conveyors and any other element exposed to strong

POWDER PLATES reduce maintenance costs by extending service life cy of protected surfaces, increase plant availability by means of longer maintenance intervals for heavily loaded surface, conserve resources and protect the environment with exchangeable liners, offers the best protection while being the lightest product.





Welding Machines

- * Welding consumables
- * Welding solutions

Castolin Eutectic manufactures all kinds of welding, brazing and thermal spray Consumables & Equipments.





Christian Pfeiffer

Christian Pfeiffer has always worked towards perfecting methods of processing mineral raw materials; Priority is given to the planning, design, fabrication and assembly of complete grinding plants as well as individually integrable components or systems, like:

- **Mill diaphragms**
- **Slotted & backside plates**
- **Mill shell linings - high capacity at low energy consumption**



Grinding Media



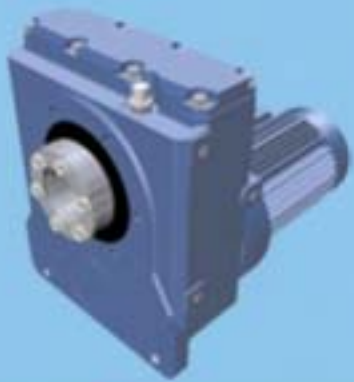
Drive Technologies

Sumitomo Drive Technologies supplies a wide range of plant engineering companies and users of mechanical drive technology. In the drive technology industry, the products are a standard part of conveying systems, cooling towers, sewage plants, agitators, ventilators, extruders, pulp presses, printing presses, crane systems, loading ramps, rotary driers, air locks, foundries and machine tools, like:

Motion Control Drives (Fine Cyclo, Servo Planetary gearboxes/gear motors PPG, Servo Planetary gears/geared motors PPG/EPG, IB Series P1 Type, Servo 100, Servo 6000)



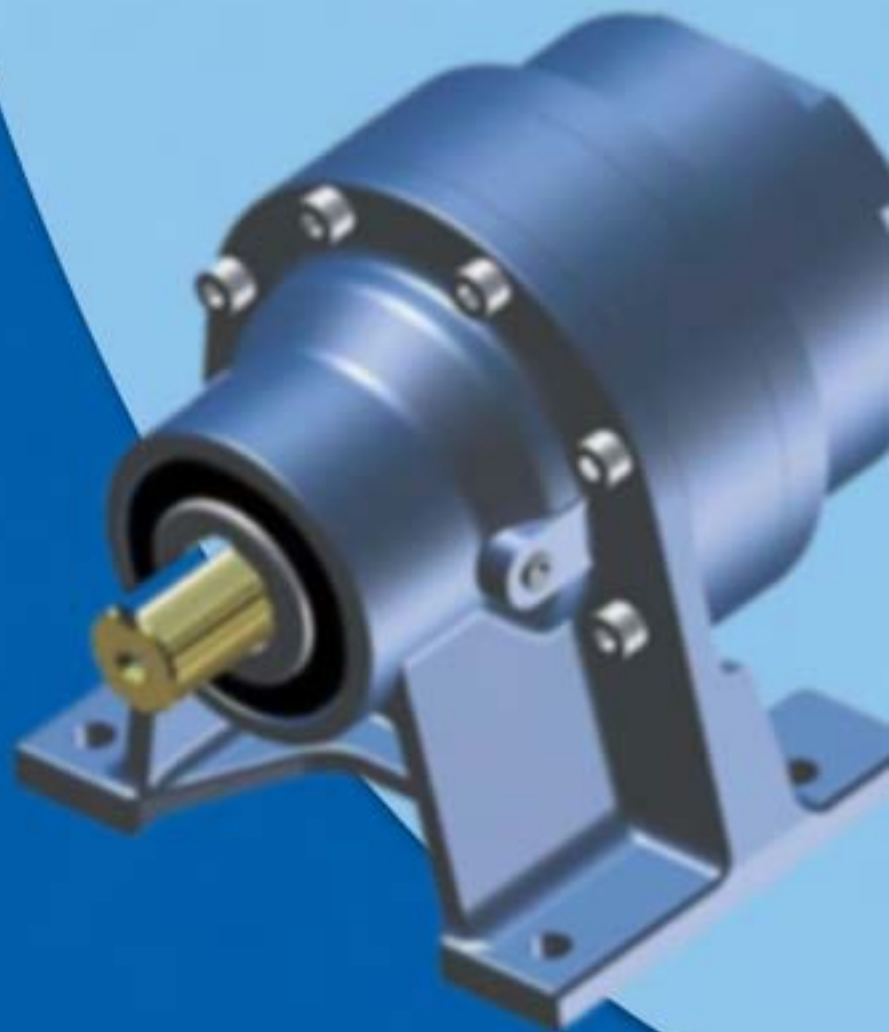
Cyclo Drives



* **Coaxial Gear boxes/Gear motors**
(Cyclo Drive 6000, Astero)

* **Shaft Mounted Gearboxes /Gearmotors**
(HBB Helical Buddybox, HSM)

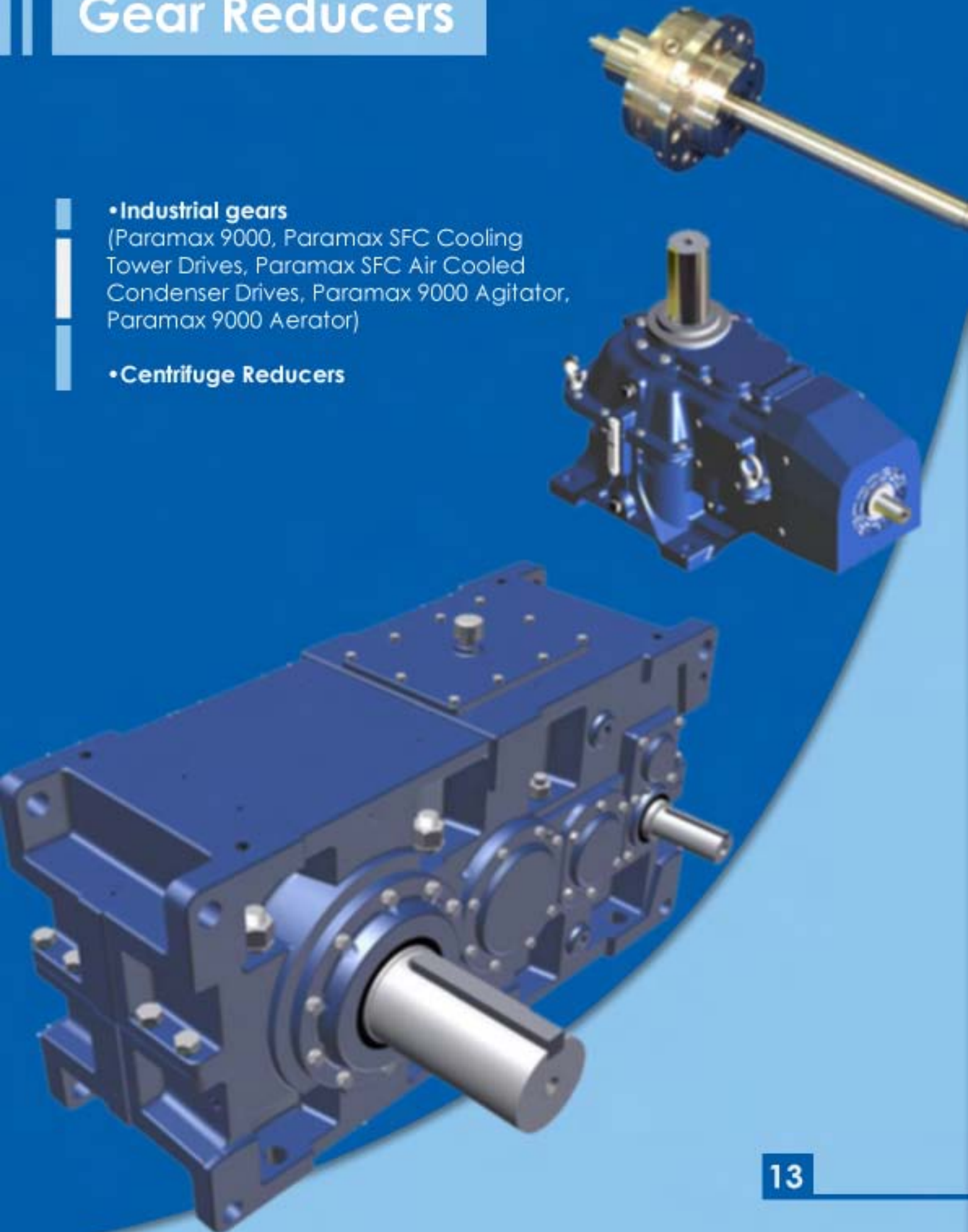
* **Right Angle Gearboxes/Gearmotors**
(BBB Bevel Buddybox, Neo Hyponic)



Gear Reducers

- **Industrial gears**
(Paramax 9000, Paramax SFC Cooling Tower Drives, Paramax SFC Air Cooled Condenser Drives, Paramax 9000 Agitator, Paramax 9000 Aerator)

- **Centrifuge Reducers**



Belts & Pulleys



Tsubakimoto Chain Co. is the world's premiere manufacturer and developer of power transmission products, with strong market positions in premium-quality chains (ANSI (RS) & (BS) British standard roller chain, engineering chain, conveyor chain, motorcycle chain, various special application chains, power transmission units and components including reducers, linear actuators, clutches, and automotive timing chain drive systems used to drive camshafts in auto engines. Tsubakimoto Chain is also a leader in the development and production of factory automation systems, physical distribution systems, and electronic control devices. The products like :

Chain & Sprockets (Drive Chains, Conveyor Chains, Top Chains, Tire Chain, Sprockets, and others)

Timing Belts & Pulleys
(Timing Belts & Pulleys, Accessory)



Couplings

* Shaft Couplings / Lockings



* Gear Reducers
/ Variable speed drives





- * **Motion Controls / Clutches**
- * **Overload Protectors**
- * **Linear Actuators**
(Linear Movement,
Hydraulic Shock Absorber)

Motion Controls

Bulk Handling Systems

Conveyances, Sortings, and Storage Systems:

Automatic sort system for distribution industry, Storage equipment and system for drug development and biotechnology and nanotechnology field, Automatic material handling system for newspaper printing factory, Automatic material handling system for car manufacturing factory & others.

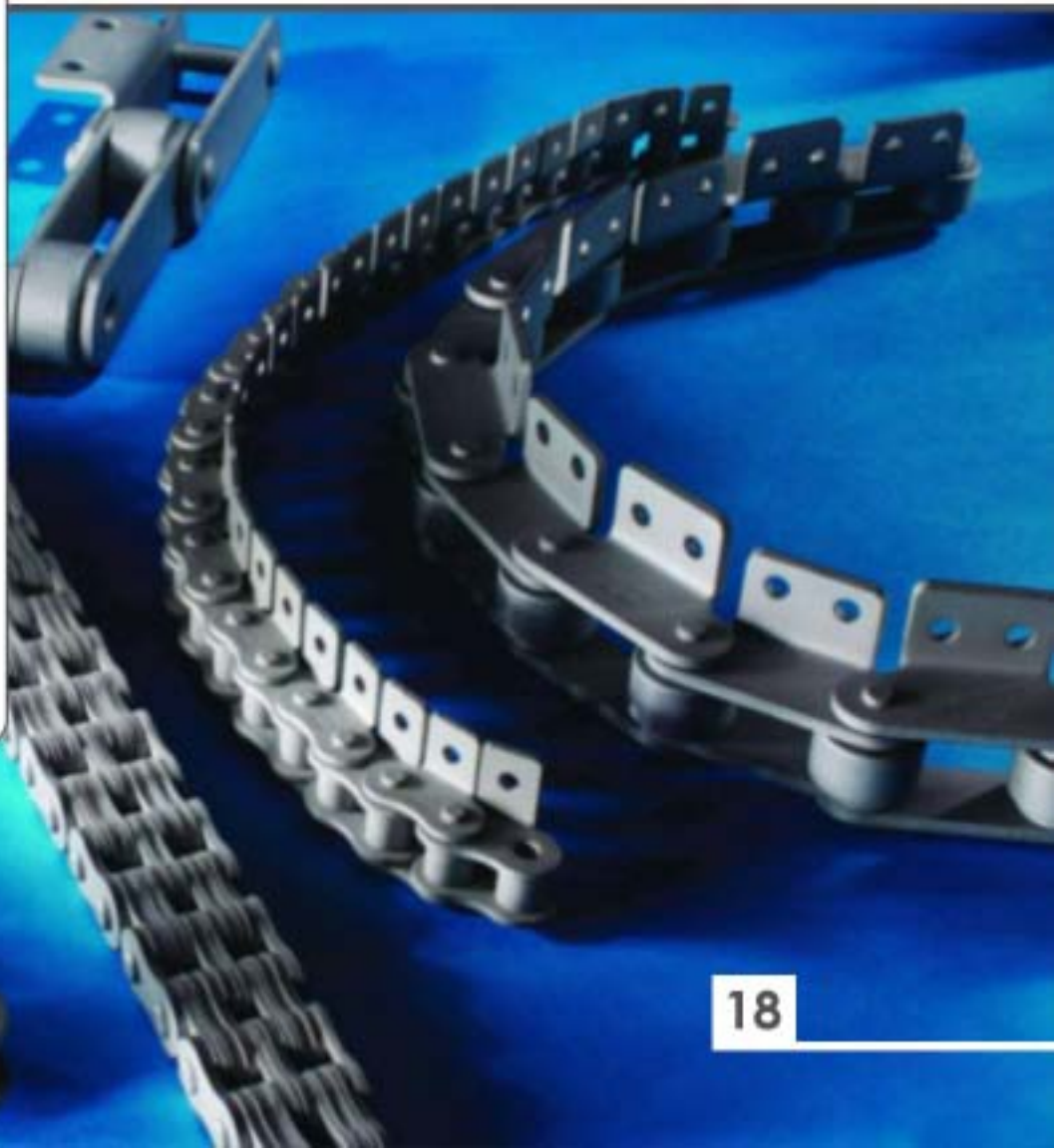


• **Bulk Handling Systems**
(Horizontal, Vertical, Horizontal / Vertical Combination, Conveyor Components)

Timing Systems

* Automotive Parts

(Timing Drive Systems,
Timing Chains, Sprockets,
Tensioners, Levers and
Guides)



Aden Repair Shop

Some Activities:

- Manufacture of new finished and semi-finished wear parts.
- Repair of broken parts.
- Rebuilding of worn parts.
- Protection against wear and corrosion.
- Fusion technology.
- Measurement and analysis of vibrations.
- Machining and portable machining.
- Balancing of rotary parts.
- Portable balancing.

Advantages:

- fast response time.
- Genuine warranted spare parts.
- One stop shop.
- Qualified and factory trained team.

Aden Repair Shop has been established since 2001 In Aden with highly qualified engineers. It provides all types of engineering, fabrication maintenance and services for Cement Plants, power plants and oil & gas. The repair shop is equipped with the latest technology equipments requirements.



We care that`s why we succeed



www.algarmani.com

SANA'A HEAD OFFICE CONTACTS:
ALGARMANI BUILDING, TAIZ St.
SANA'A Rep. of YEMEN
P.O. BOX 20533
TEL: +967 1 625 882
FAX: +967 1 625 883
EMAIL: info@algarmani.com

